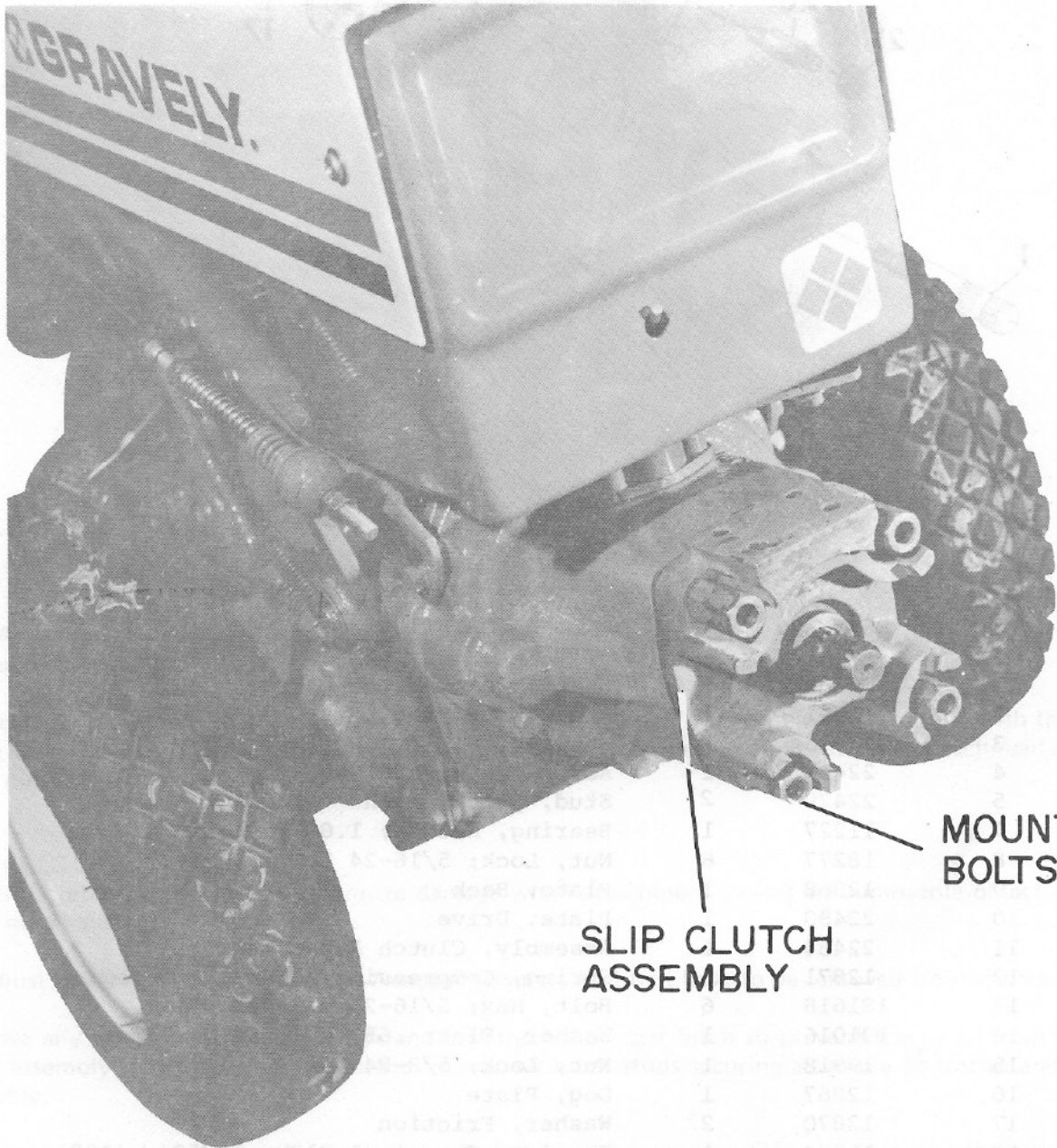


GRAVELLY OPERATOR'S MANUAL

NAME: ATTACHMENT ADAPTER KIT

PART NUMBER(S): 22477



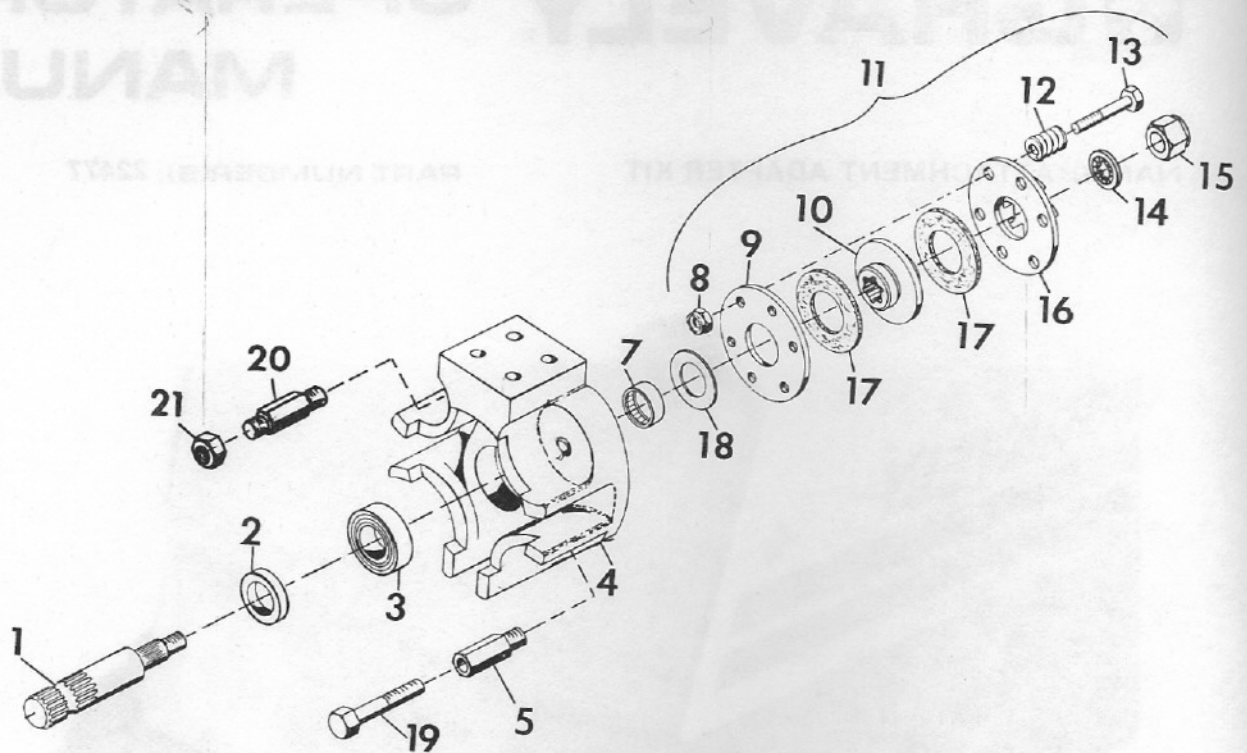
**SLIP CLUTCH
ASSEMBLY**

**MOUNTING
BOLTS**

To continue its program of quality and design improvement, the manufacturer reserves the right to change specifications, designs and prices without notice and incurring obligation.

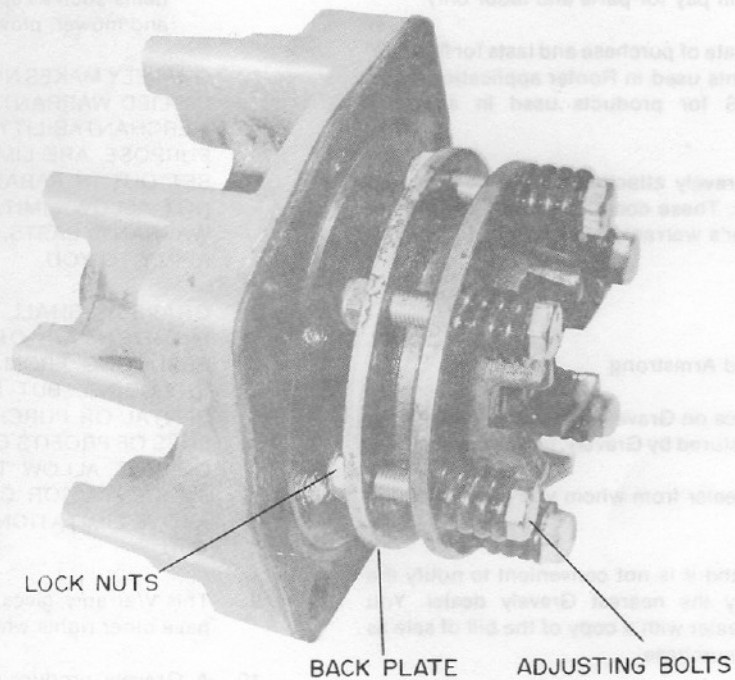
Form No. 25114 (11/78)

Printed in U.S.A.



<u>ITEM NO.</u>	<u>PART NO.</u>	<u>QTY.</u>	<u>DESCRIPTION</u>
1	22482	1	Shaft, Quick Hitch
2	11841	1	Ring, Retaining
3	11293	1	Bearing, Ball; 1.000 x 2.000 x .562
4	22483	1	Adapter, Quick Hitch
5	22479	2	Stud, Quick Hitch
7	11227	1	Bearing, Needle; 1.000 x 1.250 x .500
8	18277	6	Nut, Lock; 5/16-24 L.T.
9	12868	1	Plate, Back
10	22480	1	Plate, Drive
11	22484	1	Assembly, Clutch Attachment
12	12871	6	Spring, Compression; 3/4 x 2200 Lb/in
13	181618	6	Bolt, Hex; 5/16-24 x 1-3/4
14	131016	1	Washer, Flat; .656 x 1.312 x .095
15	19918	1	Nut, Lock; 5/8-24
16	12867	1	Dog, Plate
17	12870	2	Washer, Friction
18	11983	1	Bearing, Thrust; 1.012 x 1.750 x .125
19	180173	2	Bolt, Hex; 1/2-13 x 1.0
20	24824	2	Stud, Quick Hitch
21	120378	2	Nut, Hex; 1/2-13

GRAVELLY ATTACHMENT LIMITED WARRANTY



The Attachment Adapter Kit is completely factory assembled and needs only to be bolted to the advance casting of the tractor.

The assembly is bolted to the tractor with the four quick hitch studs (item 5). The side with the four holes is the top. These holes are for mounting the quick hitch pin when required for some attachments. The quick hitch pin IS NOT a part of this kit.

SLIP CLUTCH ADJUSTMENT

The slip clutch is designed to minimize damage when attachment strikes an immovable object and requires some maintenance.

To adjust the clutch, the Attachment Adapter assembly will first have to be removed from the tractor.

Remove any attachments from tractor and rest tractor on rear hitch to prevent loss of oil from transmission when assembly is removed. Remove the four quick hitch studs securing assembly to tractor and remove the assembly.

To adjust the clutch, loosen the six locknuts. Tighten the six bolts all the way in to the threaded back plate. Back off each bolt $\frac{1}{2}$ turn counter-clockwise. Lock the bolts in position with the locknuts.

GRAVELY ATTACHMENT LIMITED WARRANTY

This Limited Warranty is issued by Gravelly Division, McGraw-Edison Company, and consists of the following terms:

1. Only the original purchaser of new Gravelly manufactured attachments is covered by this Warranty.
2. This Warranty covers repair or replacement of parts manufactured by Gravelly which are defective in material or workmanship. Gravelly will pay for parts and labor only.
3. The Warranty starts the date of purchase and lasts for NINETY (90) DAYS for attachments used in Roofer applications, and TWELVE (12) MONTHS for products used in all other applications.
4. Some components of Gravelly attachments are not covered by the Gravelly Warranty. These components are covered by the original manufacturer's warranty, which is included with the product. They are:
 - a. Engine - Honda
 - b. Tires - Goodyear and Armstrong
5. To obtain warranty service on Gravelly attachments including components not manufactured by Gravelly, use this procedure:
 - a. Notify the Gravelly dealer from whom you purchased the attachment.
 - b. If you have moved and it is not convenient to notify the selling dealer, notify the nearest Gravelly dealer. You should supply this dealer with a copy of the bill of sale as proof of the date of purchase.
 - c. Make arrangements to have the attachment delivered to the dealer (refer to paragraph 6(a) below).
 - d. If you have any questions concerning the Gravelly Limited Warranty, they should be referred to:

Gravelly Division
McGraw-Edison Company
One Gravelly Lane
Clemmons, NC 27012

Attn: Manager of Customer Services

- e. Warranty service on Gravelly attachments must be performed by an authorized Gravelly dealer or Gravelly factory branch.

6. This Warranty does not cover the following:
 - a. Transportation between owner's home or place of business and the dealership. If the dealer provides the transportation of the attachment, he will charge the owner his usual rate for such service.
 - b. Normal maintenance services and normal replacement of items such as spark plugs, belts, oil, oil filters, air filters, and mower, plow or cultivator blades.
7. GRAVELLY MAKES NO OTHER EXPRESS WARRANTIES. ANY IMPLIED WARRANTIES, INCLUDING WARRANTIES AS TO MERCHANTABILITY OR FITNESS FOR A PARTICULAR PURPOSE, ARE LIMITED IN DURATION TO THE PERIOD SET OUT IN PARAGRAPH 3 ABOVE. SOME STATES DO NOT ALLOW LIMITATIONS ON HOW LONG AN IMPLIED WARRANTY LASTS, SO THE ABOVE STATEMENT MAY NOT APPLY TO YOU.
8. GRAVELLY SHALL HAVE NO RESPONSIBILITY FOR INCIDENTAL OR CONSEQUENTIAL DAMAGES RESULTING FROM THE BREACH OF ANY WARRANTY, INCLUDING, BUT NOT LIMITED TO, INCONVENIENCE, RENTAL OR PURCHASE OF REPLACEMENT PRODUCTS, LOSS OF PROFITS OR COMMERCIAL LOSS. SOME STATES DO NOT ALLOW THE EXCLUSION OR LIMITATION OF INCIDENTAL OR CONSEQUENTIAL DAMAGES, SO THE ABOVE LIMITATION OR EXCLUSION MAY NOT APPLY TO YOU.
9. This Warranty gives you specific legal rights, and you may have other rights which vary from state to state.
10. A Gravelly product registration card is supplied with each Gravelly product. Please complete the card and return it to Gravelly at the address listed on the card. The registration card will be used by Gravelly for:
 - a. Recording date of purchase.
 - b. Notification of owners in compliance with the Consumer Product Safety Act, should any notification be necessary.The return of registration card is not required in order to take advantages of this Warranty.
11. This Warranty is not subject to change or modification by anyone, including Gravelly dealers and no Gravelly dealer is authorized to make any representations or promises on Gravelly's behalf.

 **GRAVELLY**